

# LABELING EQUIPMENT

*Labeling device, ETM type*



20

labeling

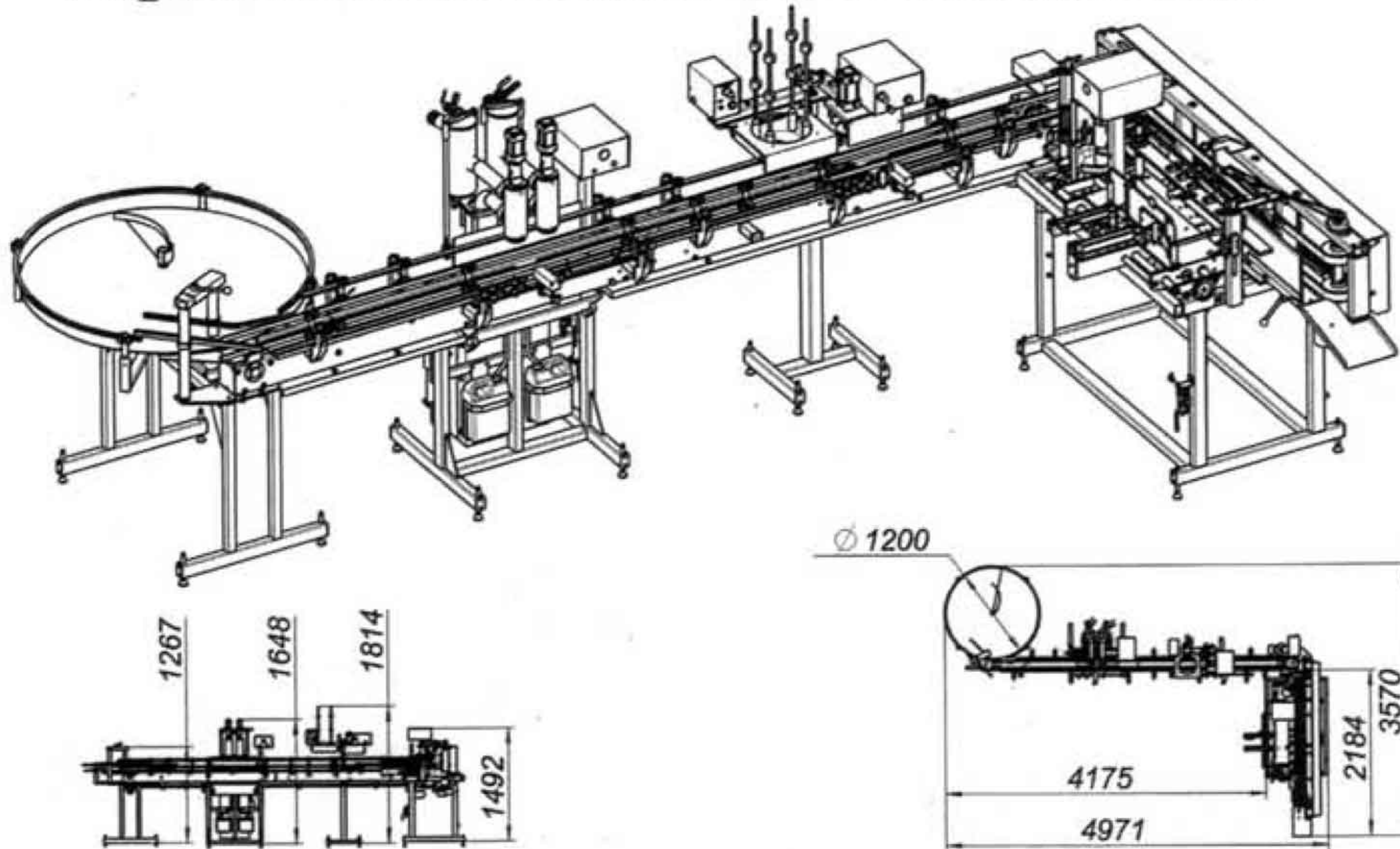
*Labeling device, ETM type*



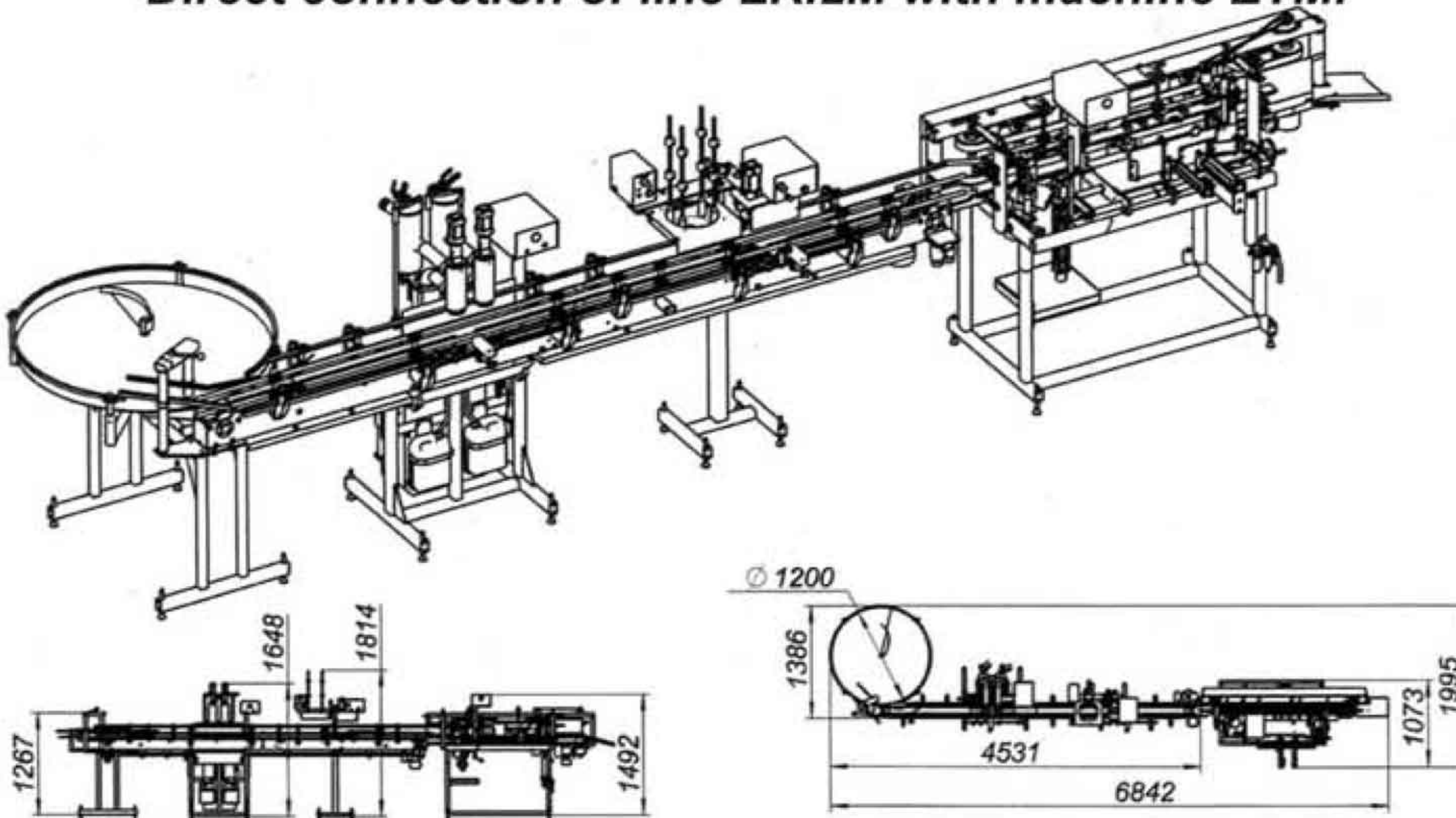
**SERVICE CONDITIONS :** Machine is completely adapted for EX explosive environment operation (Russian GOZGORTECHNADZOR Certificate)



## Angular connection of line LR.2M with machine ETM.



## Direct connection of line LR.2M with machine ETM.



21

### INTENDED USE

Labeling device, ETM type, is designed for affixing of circular labels on circular round cans according to GOST 6128-81 and includes:

- automatic can feeding;
- automatic label feeding;
- automatic label affixing;
- convenient reset to a different container and label type;
- use of glues capable of drying out at normal temperature.

### TECHNICAL CHARACTERISTICS

Container diameter, mm	100÷160
Container height, mm	75÷190
Label width, mm	75÷190
Label length, mm	300÷520
Output of cans 103 mm in diameter, labels/hour, not exceeding	3000
Device electrical energy use (3-phase alternating current)	380±38 V, 50Hz
Installed capacity, kWt	0,74
Pressure of compressed air, mPa	0,4÷0,6
Consumption of compressed air, not more m <sup>3</sup> /h	3,0
Overall dimensions, mm at most	2500×1120×1600
Weight, kg, not exceeding	400